



Advanced Process Automation Technologies

Home Gateway/Home Controller (HG1001)

APAT HG1001 is a multi-functional device that is responsible for home data collection, processing, and transmission. The device is able to operate in different modes as described below.



HG1001 Operation Modes

Home Gateway

In this mode, the device serves as an interface between room controllers and application/monitoring software. It collects data from room controllers, processes the data, and sends the resulting information to the application, monitoring software, or cloud.

Home Controller

In this mode, the device operates as an independent controller equipped with various function blocks for several control purposes. It collects data from sensors/actuators, processes the data, and sends the resulting information to the application, monitoring software, or cloud.

Combinational

The device can operate as home gateway and home controller at the same time.

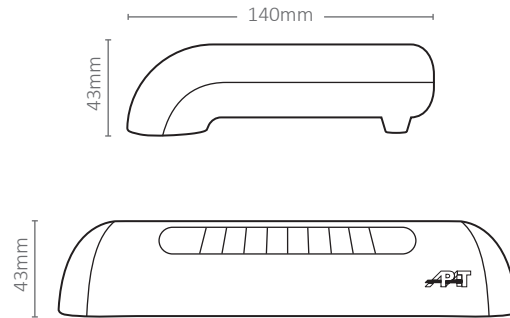
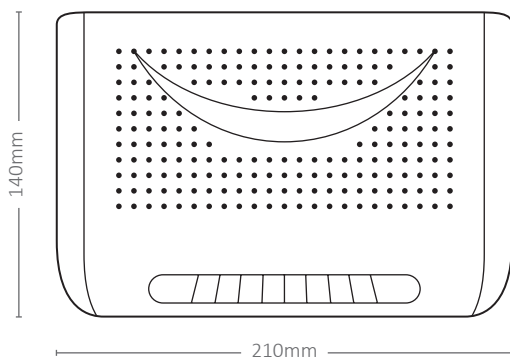
Features

- Providing an interface between room controllers, application/ monitoring software, and cloud
- Supporting ZigBee-HA, Wi-Fi, and Ethernet
- Supporting pre-defined function blocks
- Supporting user-defined function blocks (Rules)
- Handling user-defined master scenes
- LED status indicators (e.g. power, fault, etc.)
- No cooling media required
- Easy installation

Operating Temperature	0oC ~ 45oC
Operating Humidity	≤ 90%
Storage Temperature	-20oC ~ 60oC
Storage Humidity	≤ 95%
Processor	ARM
RAM	512Mb DDR3
Internal Storage	4GB
Operating System	Linux
Ports	USB 2.0
RJ45 Ethernet Port	10°C ~ 50°C (Accuracy of ±1°C)
Material	ABS, PC

NO. LED Indicators	7
Mounting	Wall-Mounted/ Desk-Mounted
Protection Rate	IP20
Power Supply	5VDC
Communication Protocols	ZigBee HA Profile
Wi-Fi	24VAC
Carrier Frequency	2.4GHz
Standard Compliance	EMC
Carrier Frequency	2.4GHz
Standard Compliance	EMC

Dimensions



111 Peter Street, Unit 904
Toronto, ON M5V 2H1, Canada
www.apatechnologies.com